



DIGITAL WEIGHING SCALE

SWB Series

MAX-W Series

OPERATION MANUAL

SHANG CHUEN WEIGHTING MACHINE CO., LTD.

53, LIAO-YANG 4TH ST. TAICHUNG CITY, TAIWAN

TEL: 886-4-22453226 FAX: 886-4-22435042

E-MAIL. : satru@ms12.hinet.net

Website: www.satru.com.tw

Edition : 21-Oct-2010

SWB & MAX-W Series Digital Weighing Scale Instruction Manual

PREFACE

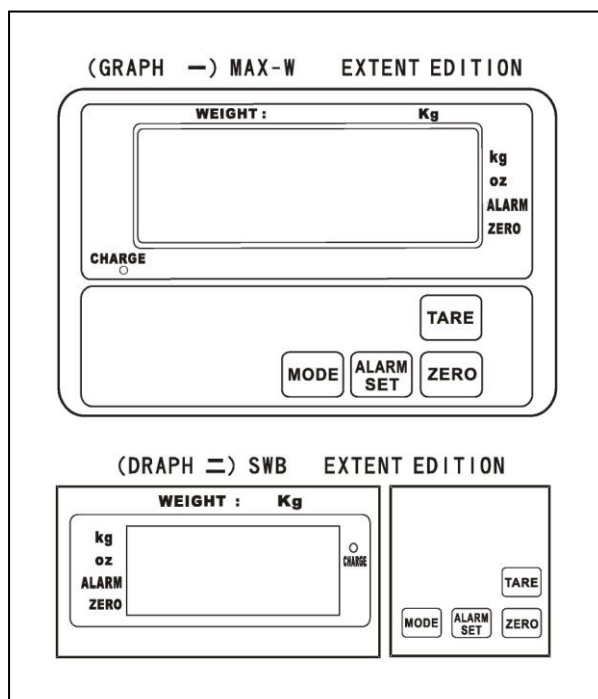
Thank you for purchasing this **SWB & MAX-W Series** digital weighing scale. With normal care and proper treatment it will provide years of reliable service. Please read all operating instructions carefully.

CAUTIONS

- Avoid lengthy exposure to extreme heat or cold, the scale works best when operated at normal room temperature.
- The cleaner the environment the better. Dust, dirt, moisture, vibration, air currents and proximity to other electronic equipment can all cause an adverse effect on the reliability and accuracy of the scale. If you are using it in a place where is often becomes dirty, use the protection cover included as a standard accessory.
- Handle with care, do not stack material on the scale when not in use. Although this scale is designed to be quite durable, try to avoid rough treatment as this may permanently damage the internal sensor.
- Operate the scale on a stable and vibration free surface.
- The stainless pan can be cleaned with water, dry it well before using.
- Fully recharge the battery after a long period of storage (every 3 or 4 months).

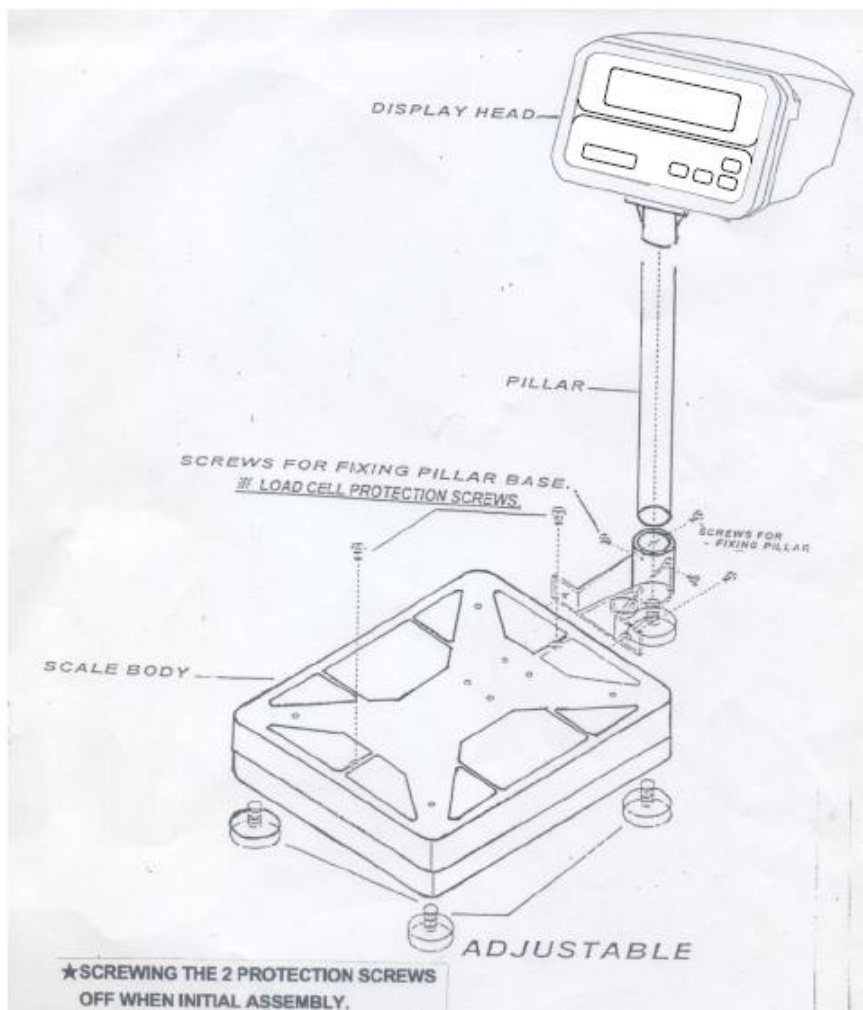
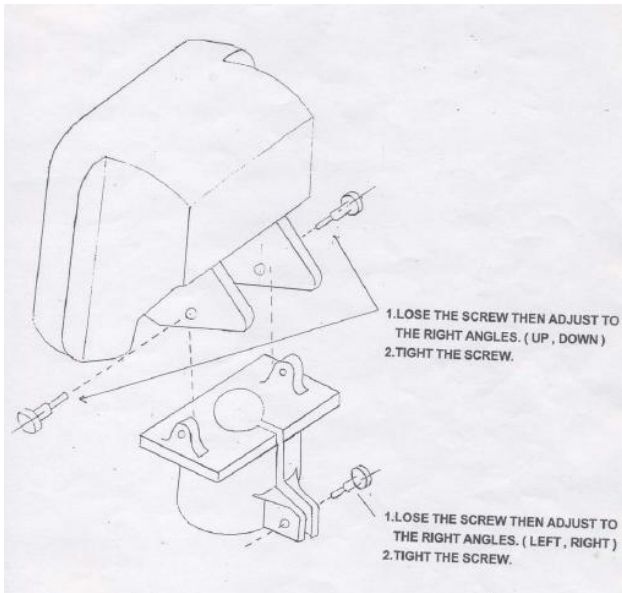
FEATURES

- With micro-processor, combine with sensitivity force transducer strain gage load cell, accurate and shock-proof.
- With no leakage and long life rechargeable battery, up to approximately 200 hours to each charge. Low battery warning.
- Large, clear and easy to view liquid crystal display.
- Buzzer alarm with each keypad touching, in order to confirm checking weight function.
- Die casting sturdy construction provides perfect protection to avoid damage from overloading.
- Good-looking, dust-proof and corrosive-proof of membrane switch.
- Front panel as figure below.



PREPARE TO USE

1. Unpack the scale by removing from the box.
2. Pull out the cable from the pillar base, pull it through the pillar and connect it to the display head.
3. Place the pillar into the base and fix the display head on it.
4. Level the scale by adjusting the four leveling feet.
5. Take away the stainless steel platform and remove the 2 load cell protection screws inside.
6. Place the platform on the scale body, please make sure it is properly aligned.



KEY DESCRIPTIONS

- MODE: Press this key to select weighing unit (kg or oz).
- ALARM SET: Press this key to set weight alarm. The alarm will sound when the weight placed on the scale exceeds the weight preset. Press again this key to cancel this alarming function.
- ZERO: Press this key to clear weight on display, the display will show zero.
- TARE: Tares the scale, the current weight will be subtracted and leave a zero on the display.

OPERATION

1. Place the scale on a suitable weighing surface.
2. Turn the power on, the scale will count down performing a self-test (from 999999 to 000000) automatically for about 5 seconds, when ready the display will show zero. (Do not allow any weight to be placed on the scale in this stage)
3. Select desired weighing unit (kg or oz), check if the indicator located in the proper position.
4. Buzzer alarms with each key pressed, in order to confirm correct operation.
5. Weighing:
 - When the scale is at zero, place the item to be weighed on the platform, read the value on the display.
 - If a container is used, its weight can be tared, please refer to "Taring".
 - When a load exceeds the scale's maximum capacity, there will be no display on LCD and the scale alarms, please remove the load from the pan. Avoid overload and refer to manual for proper operation.
6. Zeroing: press ZERO key at any time to set the display to zero.
7. Taring:
 - Press TARE to tare the scale, the weight already on the platform will be subtracted and leave a zero on the display.
 - Place another item on the pan, weight of the item will be displayed.
 - The scale can be tared for second time if another item is added to the first one. Only the weight added after taring will be displayed.
 - After removing all the weight from scale, a negative value will be displayed, press ZERO to return to zero or turn the scale off.
8. Counting:
 - Press MODE for 3 seconds to enter counting mode. LCD firstly displays "PCS-On" then sample quantity following the order of 10-20-50-100-200-500-1000.
 - Place sampling objects (EX: 5 kg) on the platform and select their quantity (EX: 50) by pressing MODE when LCD is showing the sample quantity desired (EX: 50). LCD displays "Good", sampling is finished. (If you do not want to proceed further with sampling/counting, press ZERO to escape)
 - Place the objects to be counted on the platform, their quantity will be shown.
 - Return to weighing mode, press MODE for 3 seconds, LCD displays "PCS-OFF", the scale goes back to weighing mode.

9. Set weight alarm:

A. Set weight alarm percentage

- Press ALARM SET for 3 seconds, LCD displays "ALR-PS" then the number of percentage.
- Default percentage is 00 (100%), to change percentage, press ALARM SET to shift digit position, press MODE to change number. "0" presents 100% of weight, "01" represents 99% of weight, "2" represents 98% of weight...and so on.
- Press TARE to confirm the set percentage. (If you do not want to proceed further with set percentage, press ZERO to escape)

B. Set weight alarm (Percentage = 100%):

- Place the object of which its weight you desire to set alarm (EX: 10 kg) then press ALARM SET, LCD will show "ALr-On". Once the weight apply to platform **exceeds** the pre-set weight (10 kg), the scale will sound a rapid alarm.
- To cancel alarm function, press again ALARM SET, LCD shows "ALr-OFF".

C. Set Low and High weight alarm (Percentage \neq 100%)

To sound an alarm when the weight on the platform exceeds the pre-set High and Low values.

- Set weight alarm percentage. EX: 10% for 10 kg.
Low value = $10 - 10 \times 10\% = 9$ kg; High value = $10 + 10 \times 10\% = 11$ kg
- Place the objects of 10 kg on the platform then press ALARM SET.
- **When the weight apply to the platform is between 0.000~9.000 kg, the scale does not sound.**
- **When the weight apply to the platform exceeds 9.000 kg, the scale sounds slowly.**
- **When the weight apply to the platform exceeds 11.000 kg, the scale sounds rapidly.**
- To cancel alarm function, press again ALARM SET, LCD shows "ALr-OFF".

10. Battery:

- A. Low voltage: [bt-Lo] will display when power voltage is lower than 5.8V, this symbol indicates power voltage is insufficient, please charge battery immediately.
- B. Charge the battery: It is recommended to charge the battery once monthly. Connect the power cord attached to AC power socket, green LED will light up when the scale is being charged.
- C. Recycling and disposal: Lead acid battery is to be recycled. Battery contains lead and dilute sulfuric acid, do not dispose of used battery in domestic waste. Follow the proper disposal or recycling requirements in accordance with local laws and regulations.

11. Error message

[-----]: Overload, please remove the item on the platform immediately.